

MC4 Solar Connector



MC4 Solar Connector is the name of the connection type on all new solar panels, providing an IP67 waterproof and dust proof safe electrical connection. Yulong Electric(GHX) is a large-scale MC4 solar connector manufacturer and supplier in China. We have been specialized in MC4 solar connector for many years. Our products have a good price advantage and cover most of the Southeast Asia, India, Poland markets. We look forward to working with you together in the future.

1.Features of MC4 Solar Connector

Buy discount MC4 Solar Connector Free Sample made in China.

Simple on-site processing.

Acomodates PV cable with different insulation diameters.

Mating safety provided bykeyed housings.

Multiple plugging and unplugging cycles .

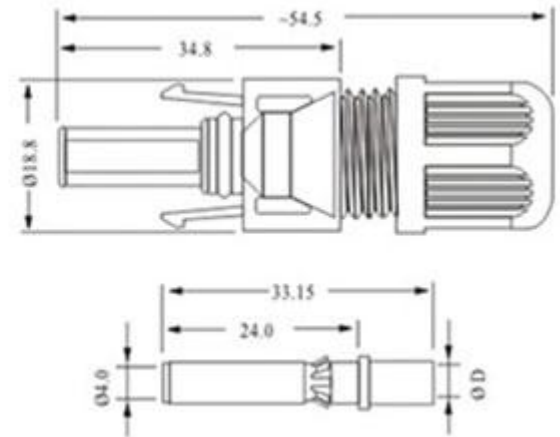
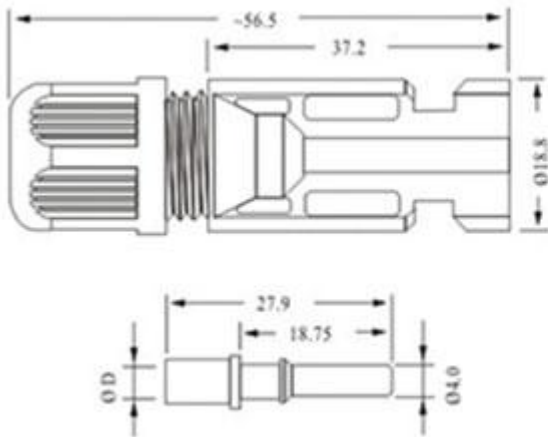
High current carrying capacity.

2.Technical Parameter of MC4 Solar Connector

Item	MC4 Solar Conneccor
Model Number	YLPVCC
Test Voltage	1000V DC/1500V DC
Overvoltage Type/Pollution Degree	6000V(50Hz, 1min)
Contact Resistance Of Plug Connector	CAT III /2
Contact Resistance Of Plug Connector	1mΩ
Contact Material	Copper, Tin-plated
Insulation Material	PPO
Degree Of Protection	IP2X/IP67

Flame Class	UL94-VO
Safety Class	II
Suitable Cable	OD 4.5-8.5(2.5-6.0mm ²)
Insertion Force/Withdrawal Force	≤ 50N/ ≥ 50N
Connecting System	Crimp connection
Temperature Range	-40°C ~ +125°C

3.Drawing of MC4 Solar Connector





First Step



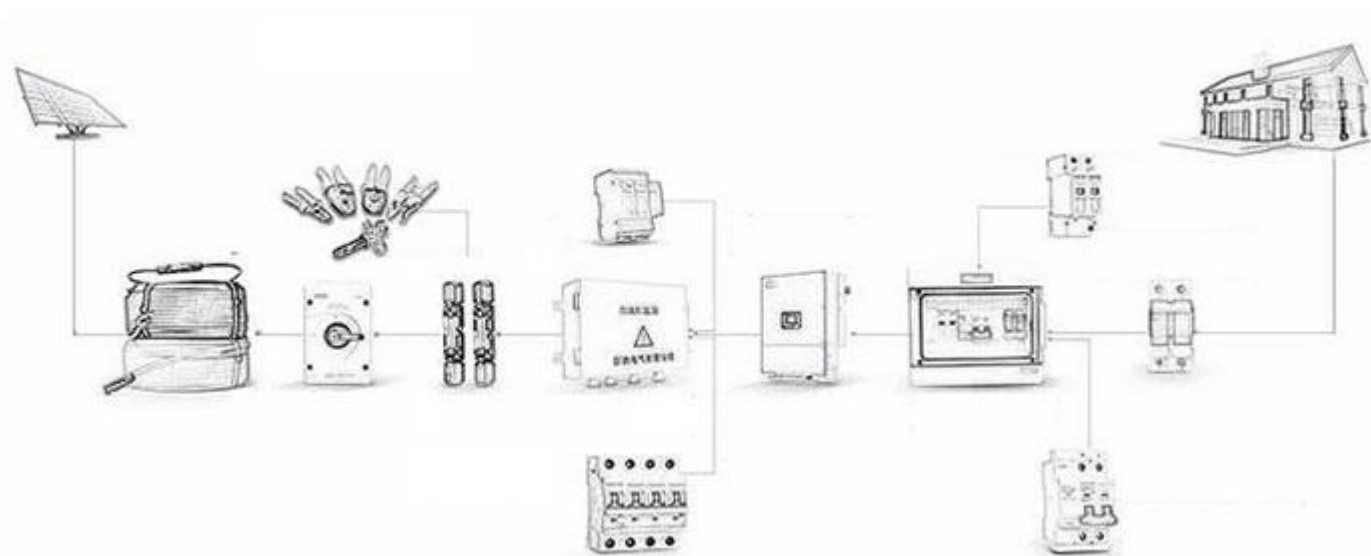
Second S.



Third Step



Fourth Step



4.FAQ of MC4 Solar Connector

Q:When I can receive quotation and detail information after send the enquiry?

A:Reply will be sent in 24hours.

Q:What's the difference between you and other suppliers?

A:We have our own design box with PC/ABS material.



www.ylongelec.com

Q:Do you provide samples ? is it free or extra ?

A:Yes, we could offer the sample for free charge but do not pay the cost of freight.

Q:Can I get a sample for test before place order?

A:Of course!

Q:How's the delivery?Because I really need them is urgently?

A:Samples cost 2-3 days. Bulk order cost 12-15 days.

Q:If i want to release order, what's the payment method you accept ?

A:We accept T/T, Western union, Trade Assurance.